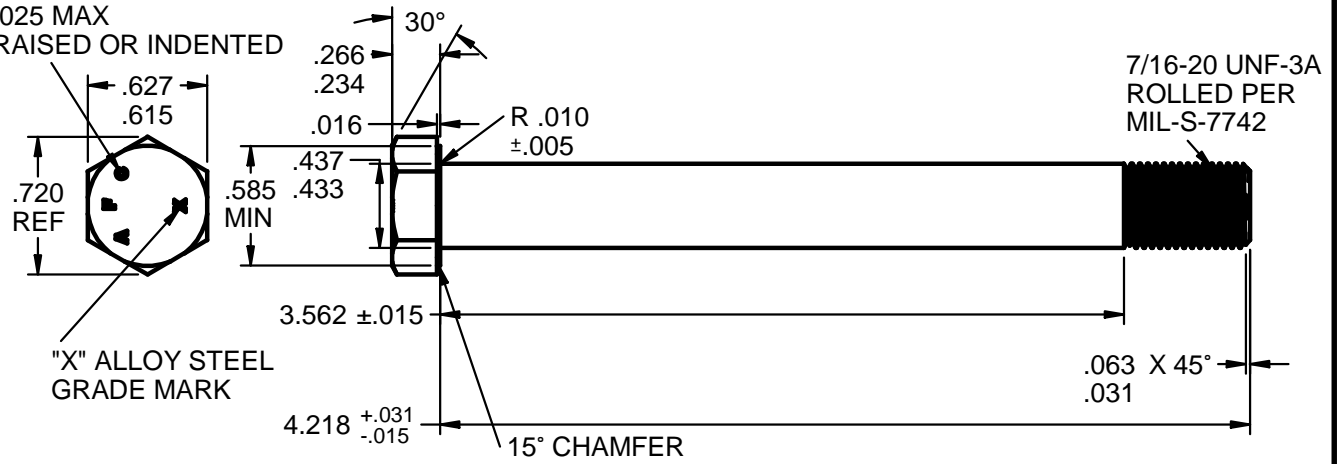


MANUFACTURERS

"AFC" LOGO

.025 MAX

RAISED OR INDENTED



SCALE: 1X

DESIGN NOTES: AN7-41A AIRFRAME BOLT

1. LENGTH 4-7/32" (4.218"), GRIP 3-9/16" (3.562"), THREAD 7/16-20 UNF-3A.
2. PROCUREMENT SPECIFICATION NASM6812.
3. MATERIAL ALLOY STEEL PER PROCUREMENT SPECIFICATION.
 UNS G40370 AMS6300 DFAR EXEMPT
 UNS G87400 AMS6322 DFAR APPLIES
 UNS G41400 AMS6382 DFAR APPLIES
 UNS G41300 AMS-S-6758 DFAR APPLIES
4. HEAT TREAT AMS-2759 HRC 26-32.
5. FINISH CADMIUM PLATED PER AMS-QQ-P-416, TYPE 2 (YELLOW), CLASS 2.
6. THREADS 7/16-20 UNF-3A ROLLED PROCESS PER MIL-S-7742.
7. TENSILE 13,600 LBS. [60,495 N] MIN.
8. YIELD 10,430 LBS. [46,394 N] MIN.
9. SINGLE SHEAR 11,250 LBS. [50,042 N] MIN. SHORT LENGTH N/A.



EXAMPLE PART NUMBER

ACTUAL SIZE

AFC 7-41 C2- CADMIUM TYPE 2 YELLOW PLATING
 AFC 7-41 C1- CADMIUM TYPE 1 PLAIN WHITE PLATING
 AFC 7-41 TDC- THERMAL DIFFUSION COATED ASTM A1059

↑ FINISH
 ↑ LENGTH 4.218"
 ↑ BODY SIZE & THREAD .437-20 UNF-3A
 ↑ MANUFACTURER AIRFASCO

UNCONTROLLED

CONFORMS TO: NASM3 THRU NASM20
 PART NUMBER: AN7-41A

DIMENSIONS ARE IN INCHES AND TOLERANCES ARE AS SHOWN BELOW. DIMENSIONAL TOLERANCES AND SYMBOLS PER ANSI Y14.5M-1982	PROPRIETARY PARTS SHOWN IN THIS DRAWING ARE THE SUBJECT OF ISSUED UNITED STATES AND FOREIGN PATENTS AND PATENTS PENDING. UNAUTHORIZED REPRODUCTION AND/OR DISTRIBUTION OF THIS DRAWING IS STRICTLY PROHIBITED.		AIRFASCO.com	
	2655 HARRISON AVE SW, CANTON, OHIO 44706 USA			
	APPROVALS		DATE	PART NUMBER: AN7-41A_AFC7-41C2
ANGLES	±5°	DRAWN M.B.	4/11/14	REV
.XX	±.03"	CHECKED T.W.	4/11/14	EST. WEIGHT: .196 / EACH LBS. [89.0 g]
.XXX	±.010"	ENG APPR B.E.	4/11/14	
.XXXX	±.001"	MGR APPR D.D.	4/11/14	SCALE: 1X
			DRAWING NUMBER: AN7-41A_AFC7-41C2	SHEET 1 OF 1